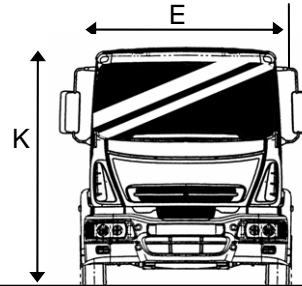
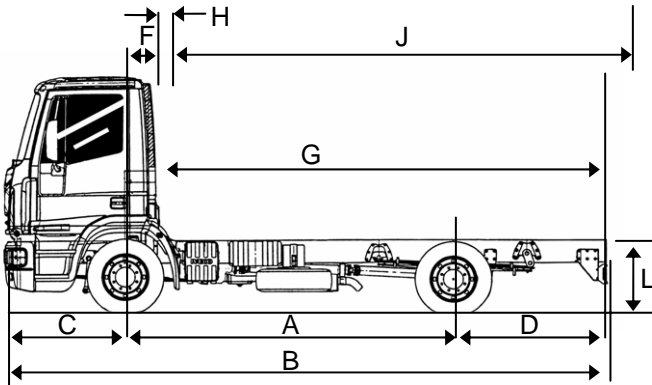


# IVECO

## EUROCARGO

### I20E25S 4x2 Rigid



PLATED/DESIGN WEIGHTS (kg)		GVW	GTW	Front Axle	Rear Axle
Plated weights		12000	15500	4480	8480
Design weights		12000	15500	4800	8500

A GTW of 26000kgs is permissible provided the 9-speed gearbox and a drawbar pack are specified. For front axle capacity upgrade – see Options Guide.

KERBWEIGHTS (kg) Day Cab	3105	3690	4185	4455	4815	5175	5670	6570
Front	2882	2872	2892	2927	2957	2982	2987	3067
Rear	1198	1283	1288	1343	1358	1343	1403	1558
Total	4080	4155	4180	4270	4315	4325	4390	4625
<b>MAXIMUM BODY/ PAYLOAD (kg) Day cab</b>	7920	7845	7820	7730	7685	7675	7610	7375

DIMENSIONS (mm)		3105	3690	4185	4455	4815	5175	5670	6570
A	Wheelbase	3105	3690	4185	4455	4815	5175	5670	6570
B	Overall length (over bumpers)	5780	6792	7602	8007	8637	9222	10032	11427
		N/A	6792	7602	8007	8637	9222	10032	11427
C	Front overhang	1352	1352	1352	1352	1352	1352	1352	1352
D	Rear overhang	1313	1740	2055	2190	2460	2685	3000	2735
		N/A	1740	2055	2190	2460	2685	3000	2735
E	Cab width (over wings)	2295	2295	2295	2295	2295	2295	2295	2295
F	C/line f/axle to back of cab equip	265	265	265	265	265	265	265	265
		N/A	845	845	845	845	845	845	845
G	Back of cab to end of frame	4153	5165	5975	6380	7010	7595	8405	9800
		N/A	4585	5395	5800	6430	7015	7825	9220
H	Cab gap	120	120	120	120	120	120	120	120
		N/A	120	120	120	120	120	120	120
J	Recommended bodylength	4400	5400	6200	6600	7200	7900	8700	10100
		N/A	4500	5300	5800	6500	7100	8000	10100
K	Cab height (unladen)	2674	2674	2674	2674	2674	2674	2674	2674
L	Frame height	1079	1079	1079	1079	1079	1079	1079	1079
	Frame thickness	5	5	5	6	6	6.7	6.7	6.7
	Turning circle (wall to wall)	12340	14080	15540	16340	17400	18480	19940	22600

TYRES & WHEELS	Tyre Size		Tread		Wheels	
	Front	Rear	Front	Rear	Front	Rear
Standard	245/70R19.5	245/70R19.5	On Road	Traction	19.5x6.75	19.5x6.75
Optional	265/70R19.5	265/70R19.5	On Road	Traction	19.5x6.75	19.5x6.75
	10R22.5	10R22.5	On/Off	On/Off	22.5x6.75	22.5x6.75
	285/70R19.5	285/70R19.5	On Road	Traction	19.5x7.5	19.5x7.5

#### NOTES

Weights are to standard specification and include water, oils, 5 litres of AdBlue and 20 litres of fuel but excludes driver. Kerb weights are subject to a manufacturing tolerance of +/-5%. A sleeper cab standard roof adds 100kgs (70/30kgs) to the kerb weight. A high roof sleeper cab adds 160kgs (120/40kgs) to the kerb weight and 665mm to overall height.

July 2006

# IVECO

## EURO CARGO

### I 20E25S 4x2 Rigid



<b>ENGINE</b>	Iveco tector turbocharged and intercooled
Cylinders	6
Bore (mm)	102
Stroke (mm)	120
Capacity (litres)	5.88
Power (PS/kW)	251/185
@ rpm	2700
Torque (Nm/lbft)	850/627
@ rpm	1250 - 2100
Rating	Euro 4 or Euro 5
Governor	All speed
Cooling fan	Viscostatic
Fuel system	Bosch common rail
Exhaust	SCR catalyst system
Speed limiter	Driver programmable to 90kph
Engine immobiliser	Standard
Cruise control	Standard

<b>GEARBOXES</b>	Eaton	Iveco	Allison
1 <sup>st</sup>	5206B	2895B.9	S3000 *
2 <sup>nd</sup>	6.08	13.56	3.49
3 <sup>rd</sup>	3.53	9.00	1.86
4 <sup>th</sup>	2.09	6.55	1.41
5 <sup>th</sup>	1.35	4.77	1.00
6 <sup>th</sup>	1.00	3.55	0.75
7 <sup>th</sup>	0.79	2.54	
8 <sup>th</sup>		1.85	
9 <sup>th</sup>		1.34	
Rev	5.43	13.16	5.03

#### PERFORMANCE

<b>Eaton 5206B gearbox</b>			
Axle ratios available	<b>4.111</b>	3.73	4.88
Geared speed (mph)	<b>79</b>	87	67
Gradeability % @ GVW	<b>40+</b>	39	40+
Gradeability % @ 15500 kg GTW	<b>32</b>	29	39
<b>Iveco 2895B.9 gearbox</b>			
Axle ratios available	<b>3.42</b>	3.07	3.73
Geared speed (mph)	<b>75</b>	84	69
Gradeability % @ GVW	<b>40+</b>	40+	40+
Gradeability % @ 15500 kg GTW	<b>40+</b>	40+	40+
Gradeability % @ 26000 kg GTW	<b>36</b>	32	40+
<b>Allison S3000 gearbox</b>			
Axle ratios available	<b>4.111</b>	4.88	5.57
Geared speed (mph)	<b>84</b>	70	62
Gradeability % @ GVW	<b>40+</b>	40+	40+
Gradeability % @ 15500 kg GTW	<b>40+</b>	40+	40+

#### CLUTCH

Type	Single plate, diaphragm spring, pull type, asbestos free
Diameter (mm)	380 with Eaton 5206B gearbox 400 with Iveco 2895B.9 gearbox

#### BRAKES

Type	Vertically split full air
Front	377 mm diameter ventilated disc
Rear	377 mm diameter ventilated disc
ABS system	Standard Bosch Cat 1
Parking	Spring parking brake
Exhaust brake	Standard (multi function)
Compressor	225cc *
Air dryer	Standard

#### CHASSIS

Type	Ladder construction with pressed steel side members and riveted and bolted cross members	
<b>Wheelbases (mm)</b>	<b>Depth (mm)</b>	<b>Flange width (mm)</b>
3105-4185	250	70
4455-4815	252	70
5175-6570	253	70
Front underrun	Standard	

#### FUEL TANK

Type 115 litres plastic. Locking fuel cap

#### ADBLUE TANK

Type 25 litres, plastic. Locking cap

#### ELECTRICS

Type 24v negative earth return  
 Alternator 28v, 70A \*  
 Starter 24v, 4.0kW  
 Battery 2 x 12v, 110Ah  
 All circuits protected by fuses  
 CAN line data bus system

#### SUSPENSION

Front Parabolic leaf  
 Rear Parabolic leaf  
 Anti-roll bar Front and rear  
 Shock absorbers Front and rear

#### STEERING

Type Power assisted  
 Ratio 19.6

#### AXLES

Front Iveco 5860 I-beam  
 Rear Meritor MS10-144 Hypoid  
 Diff lock Optional  
 Standard ratios Eaton 5206B gearbox – 4.111  
 Iveco 2895B.9 gearbox – 3.42  
 Allison S3000 auto gearbox - 4.111

#### CAB INTERIOR

##### Day Cab:

Forward control MLC day cab. 3-way adjustable driver's seat. Dual fixed passenger seat with 50/50 split back rest incorporating can holders and tray on reverse side. Seatbelts to all seats. Overhead lockers with doors. Windowless rear cab wall with document net. Enclosed glove box. 4-speed fan air flow up to 500m3/hr. 10kw output. All gauges monitored using international symbols. Automatic electronic 2-man digital 24hr tachograph with dual scale instrumentation. Left and right hand entry assist handles. Fully adjustable steering column. Dash mounted gear lever. Column mounted control stalks. Overhead console for radio/CB. Courtesy and map reading lights. Engine immobiliser.

##### Sleeper Cab:

Forward control MLL sleeper cab. Passenger seat - single two way adjustable. Opening roof vent, external stowage for tools, single low level bunk and curtains to enclose entire cab area.

##### High Roof Sleeper Cab Option:

As sleeper cab plus increased interior height, extra storage space in enclosed and open lockers and rear shelf. Electric roof hatch.

#### CAB EXTERIOR

##### Day Cab:

Suspension – helical springs and dampers. Hydraulic tilt to 60 deg. Pressed steel construction with SMC for vulnerable parts. Electric door windows and laminated screen. Heated rear view mirrors to EEC 2003/97 and 2005/27, including 2 wide angle and 1 kerb view mirror.

##### Sleeper Cab:

Exterior as day cab.

\* Note: When the Allison S3000 auto gearbox is specified a 90 Amp alternator and a 360cc compressor are fitted as standard