

IVECO

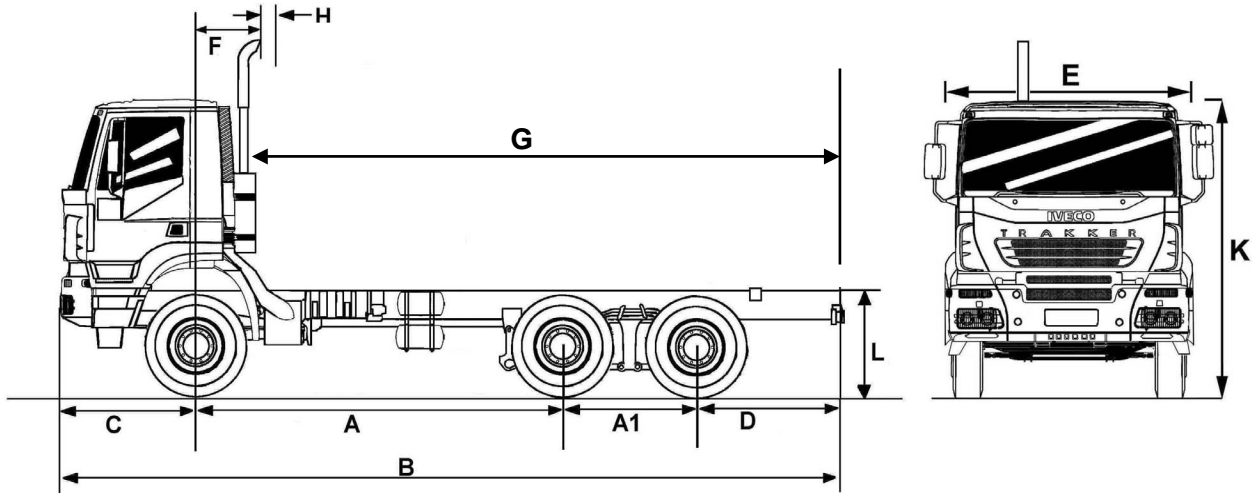
TRAKKER

ACTIVE DAY AD260T45

ACTIVE TIME AT260T45



Hub reduction - 6x4 Rigid



PLATED/DESIGN WEIGHTS (kg)		GVW	GTW	Front Axle	Rear Bogie
Plated weights		26000	40000	8000	19000
In use Authorised Weight Restrictions (AWR)		26000	44000	8000	17000
Design weights		26000	44000	8000	21000

KERBWEIGHTS (kg) day cab WHEELBASE		3500	3820	4200	4500	4800
Front		4470	4510	4505	4500	4545
Rear		4120	4140	4115	4250	4235
Total		8590	8650	8620	8750	8780
MAXIMUM BODY/ PAYLOAD (kg) GVW		17410	17350	17380	17250	17220

DIMENSIONS (mm)		3500	3820	4200	4500	4800
A	Wheelbase	3500	3820	4200	4500	4800
AI	Rear bogie spread	1380	1380	1380	1380	1380
B	Overall length (over bumpers)	7850	8170	8190	9345	9150
C	Front overhang	1440	1440	1440	1440	1440
D	Rear overhang	1495	1495	1135	1990	1495
E	Cab width (over front bumper)	2550	2550	2550	2550	2550
F	C/line f/axle to back of cab equipment	750	750	750	750	750
	day sleeper	N/A	1190	1190	1190	1190
G	Back of cab equipment to end of frame	5625	5945	5965	7120	6925
	day sleeper	N/A	5505	5525	6680	6485
H	C/line f/axle to start of body	800	800	800	800	800
	day sleeper	N/A	1240	1240	1240	1240
K	Cab height (unladen)	3045	3045	3045	3045	3045
L	Frame height	1100	1100	1100	1100	1100
	Frame thickness	7.7	7.7	7.7	7.7	7.7
	Turning circle (wall to wall)	16650	17450	18400	19150	19900

TYRES & WHEELS	Tyre Size		Tread		Wheels	
	Front	Rear	Front	Rear	Front	Rear
Standard	315/80R22.5	315/80R22.5	On Road	On Road	22.5x9.00	22.5x9.00
Optional	315/80R22.5	315/80R22.5	On Road	Off Road	22.5x9.00	22.5x9.00
Optional	385/65R22.5	315/80R22.5	On Road	Off Road	22.5x11.75	22.5x9.00

NOTES

Weights are to standard specification and include water, oils, 5 litres of AdBlue and 20 litres of fuel but excludes driver. Kerb weights are subject to a manufacturing tolerance of +/-5%. Sleeper cab adds 110kg. Medium roof sleeper cab adds 625mm height and 230kg. ZF 16S 2220 TO manual gearbox adds 60kg.

July 2006

IVECO

TRAKKER

ACTIVE DAY AD260T45

ACTIVE TIME AT260T45



Hub reduction - 6x4 Rigid

ENGINE	Iveco Cursor 13
Cylinders	6
Bore (mm)	135
Stroke (mm)	150
Capacity (litres)	12.88
Power (PS/kW)	450/331
@ rpm	1440 -1900
Torque (Nm/lbft)	2200/1622.5
@ rpm	1000 -1440
Green Zone @ rpm	1000 -1400
Rating	Euro 4/5
Cooling Fan	2 speed electro- magnetic
Fuel System	Unit Injector System
Turbocharger	Variable geometry
Exhaust	Vertical SCR catalyst system
Speed Limiter	Standard 90 Kilometer/hr @ 1351 rpm
Engine Immobiliser	Standard
Vehicle data interface	Optional

GEARBOXES	Eurotronic AS2330 TO	ZF 16S 2220 TO
1 st	15.86	13.80
2 nd	12.33	11.54
3 rd	9.57	9.49
4 th	7.44	7.93
5 th	5.87	6.53
6 th	4.57	5.46
7 th	3.47	4.57
8 th	2.70	3.82
9 th	2.10	3.02
10 th	1.63	2.53
11 th	1.29	2.08
12 th	1.00	1.74
13 th		1.43
14 th		1.20
15 th		1.00
16 th		0.84
Rev 1	14.68	12.92
Rev 2	11.41	10.80

PERFORMANCE

– with Eurotronic AS2330 TO gearbox and standard tyres

Axle Ratios Available	3.79	4.23	5.01
Geared Speed (mph)	79	70	59
Gradeability % @ GVW	40+	40+	40+

-with ZF16S 2220 TO gearbox and standard tyres

Axle Ratios Available	3.79	4.23	5.01
Geared Speed (mph)	73	65	55
Gradeability % @ GVW	40+	40+	40+

CLUTCH

Type	Single plate, diaphragm spring, pull type. Asbestos free
Diameter / Friction area	432 mm / 994 cm ²

BRAKES

Type	Electronic brake limitation (EBL)
Front	436mm ventilated disc
Rear	410mm Duo-duplex drums
Iveco turbo brake (ITB)	Standard
Heated air drier	Standard
Air reservoirs	Aluminium
ABS	Standard
ASR Traction Control	Optional
Trailer ABS Connections	Standard

CHASSIS

Type	Ladder construction with pressed steel side members and riveted and bolted cross members, trailer air and electrical connections.
------	---

FUEL TANK

Type	300 litres, aluminium Locking fuel cap
------	---

Adblue Tank

Type	40 litres, plastic Locking cap
------	-----------------------------------

ELECTRICS

Type	24v negative earth return
Alternator	28v, 90A
Starter	24v, 5.5kW
Battery	2 x 12v, 220Ah All circuits protected by fuses Easy Mux CAN line data bus system

SUSPENSION

Front	Parabolic leaf
Rear	Parabolic cantilever
Anti-roll bar	Front and single rear
Shock Absorbers	Front and rear

STEERING

Type	Power assisted
Ratio	20.7

AXLES

Front	Iveco 5886 I-beam with oil filled hubs
Rear	Iveco 452146 Spiral hub reduction
Diff Lock	Standard cross and inter axle
Standard Ratios	Eurotronic AS2330 TO gearbox 3.79:1 ZF 16S 2220 TO gearbox 3.79:1

CAB INTERIOR

Active Day Cab: interior incorporating, air suspended 3-way adjustable driver's seat, inertia reel belt. Passenger seat 2 way adjustable with inertia reel belt. Soft feel dashboard with multi-functional steering wheel incorporating touch button menu controls for the real time digital dash display. Automatic electronic 2 man tachograph, dual scale speedometer. All gauge functions monitored using international symbols. Heater with 4 speed fan for an airflow up to 600m³/hr, 12kW output. Left and right hand entry assist handles. Pneumatic adjustable steering column, 2 column mounted control stalks, left stalk operating the indicators, main beam, windscreen wash wipe, right stalk operating Eurotronic 2 gear change, engine brake, cruise control and variable speed limiter. Left of the steering column is the dash mounted Eurotronic gearbox controls for automatic and semi-automatic modes, neutral, reverse and low speed manoeuvring mode (forward and reverse). Rear bulk head storage and writing pad. Overhead console for CB radio. Remote control radio/CD, aerial and speakers. Courtesy and map reading lights. Electronic PTO switch and in cab preparation. Door roller blinds. Easy clean cab interior.

Active Time Cab: Equipment as for day cab, without easy clean interior includes single low level bunk with under bunk storage writing pad, control panel, incorporating controls for electric windows, (optional electric roof vent), and interior lights, cab heating, alarm clock, and a 12V socket. Eberspacher cab heater. Curtains to enclose entire cab area.

CAB EXTERIOR

Active Day: forward control cab. Galvanised pressed steel construction, with SMC for vulnerable parts. New design helical sprung suspension and dampers. Hydraulic cab tilt to 60 deg. Tinted electric door windows and tinted laminated screen. Heated rear-view mirrors, plus kerb and wide-angle mirrors. Steel front bumper.

Active Time Cab: Construction and equipment as for day cab but includes external stowage for tools.

The information in this literature is intended to be of a general nature only. Iveco Ltd reserves the right to modify or change specification at any time. For further information please consult your dealer.

July 2006