

# IVECO

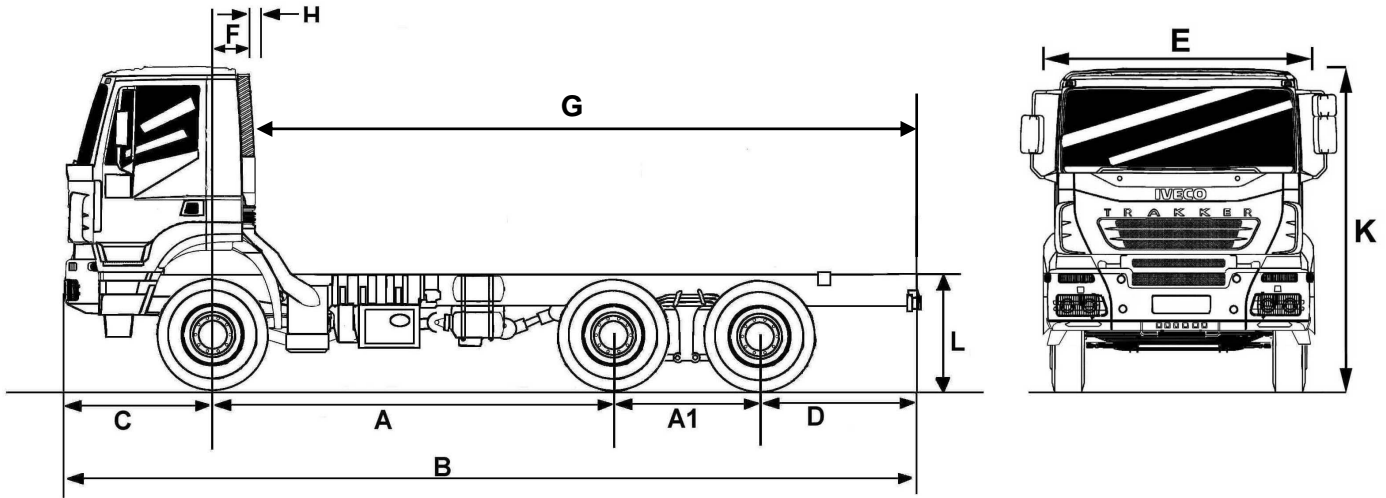
## TRAKKER

**ACTIVE DAY AD380T45W**

**ACTIVE TIME AT380T45W**



**6x6 Chassis**



<b>PLATED/DESIGN WEIGHTS (kg)</b>		<b>GVW</b>	<b>GTW</b>	<b>Front Axle</b>	<b>Rear Bogie</b>		
Plated weights		26000	44000	8000	19000		
In use Authorised Weight Restrictions (AWR)		26000	44000	8000	17000		
Design weights		38000	44000	8000	32000		
<b>KERBWEIGHTS (kg) – WHEELBASE</b>		<b>3500</b>	<b>3820</b>				
Front		4960	4935				
Rear		4805	4860				
Total		9765	9795				
<b>PAYLOAD/TRAILER @ 32500 (kg)</b>	<b>GVW</b>	16235	16205				
	<b>GTW</b>	30235	30205				
<b>DIMENSIONS (mm)</b>							
<b>A</b>	Wheelbase	3500	3820				
<b>AI</b>	Rear bogie spread	1390	1390				
<b>B</b>	Overall length (over bumpers)	7996	8626				
<b>C</b>	Front overhang	1440	1440				
<b>D</b>	Rear overhang	1490	1850				
<b>E</b>	Cab width (over front bumper)	2550	2550				
<b>F</b>	C/line f/axle to back of cab equipment	445	445				
		900	900				
<b>G</b>	Back of cab equipment to end of frame	4545	6615				
		4090	6160				
<b>H</b>	Cab gap	Depends on body type and equipment					
		Depends on body type and equipment					
<b>K</b>	Cab height (unladen)	3234	3234				
<b>L</b>	Frame height	1159	1159				
	Frame thickness	10	10				
	Turning circle (wall to wall)	19100	19900				
<b>TYRES &amp; WHEELS</b>		<b>Tyre Size</b>		<b>Tread</b>		<b>Wheels</b>	
		<b>Front</b>	<b>Rear</b>	<b>Front</b>	<b>Rear</b>	<b>Front</b>	<b>Rear</b>
Standard		315/80R22.5	315/80R22.5	Off Road	Off Road	22.5x9.00	22.5x9.00
Optional		315/80R22.5	315/80R22.5	On Road	Off Road	22.5x9.00	22.5x9.00
Optional		315/80R22.5	315/80R22.5	On Road	On Road	22.5x9.00	22.5x9.00
Optional		385/65R22.5	315/80R22.5	On Road	Off Road	22.5x11.75	22.5x9.00

#### NOTES

Weights are to standard specification and include water, oils, 5 litres of AdBlue and 20 litres of fuel but excludes driver. Kerb weights are subject to a manufacturing tolerance of +/-5%. Sleeper cab adds 110kg. Medium roof sleeper cab adds 625mm height and 230kg. ZF 16S 2220 TO manual gearbox adds 60kg.

July 2006

# IVECO

## TRAKKER

### ACTIVE DAY AD380T45W

### ACTIVE TIME AT380T45W



## 6x6 Chassis

<b>ENGINE</b>	Iveco Cursor 13
Cylinders	6
Bore (mm)	135
Stroke (mm)	150
Capacity (litres)	12.88
Power (PS/kW)	450/331
@ rpm	1440 -1900
Torque (Nm/lbft)	2200/1622.5
@ rpm	1000 -1440
Green Zone @ rpm	1000 -1400
Rating	Euro 4/5
Cooling Fan	2 speed electro- magnetic
Fuel System	Unit Injector System
Turbocharger	Variable geometry
Exhaust	SCR catalyst system
Speed Limiter	Standard 90 Kilometer/hr @ 1786 rpm
Engine Immobiliser	Standard
Vehicle data interface	Optional

<b>GEARBOXES</b>	Eurotronic	ZF 16S 2220 TO
	AS2330 TO	
1 <sup>st</sup>	12.33	13.80
2 <sup>nd</sup>	9.59	11.54
3 <sup>rd</sup>	7.44	9.49
4 <sup>th</sup>	5.78	7.93
5 <sup>th</sup>	4.57	6.53
6 <sup>th</sup>	3.55	5.46
7 <sup>th</sup>	2.70	4.57
8 <sup>th</sup>	2.10	3.82
9 <sup>th</sup>	1.63	3.02
10 <sup>th</sup>	1.27	2.53
11 <sup>th</sup>	1.00	2.08
12 <sup>th</sup>	0.78	1.74
13 <sup>th</sup>		1.43
14 <sup>th</sup>		1.20
15 <sup>th</sup>		1.00
16 <sup>th</sup>		0.84
Rev 1	11.41	12.92
Rev 2	8.88	10.80

#### TRANSFER BOX

Type	Iveco 32180
	On Road 1.00:1
	Off road 1.60:1

#### PERFORMANCE

– with Eurotronic AS2330 TO gearbox and standard tyres						
Axle Ratios Available	<b>5.01</b>	3.79	4.23	4.67	5.56	6.09
Geared Speed (mph)	<b>59</b>	79	70	64	54	49
Gradeability % @ GVW	<b>40+</b>	40+	40+	40+	40+	40+
– with ZF 16S 2220 TO gearbox and standard tyres						
Axle Ratios Available	<b>4.67</b>	3.79	4.23	5.01	5.56	6.09
Geared Speed (mph)	<b>59</b>	73	65	55	50	45
Gradeability % @ GVW	<b>40+</b>	40+	40+	40+	40+	40+

#### CLUTCH

Type	Single plate, diaphragm spring, pull type. Asbestos free
Diameter / Friction area	432 mm / 994 cm <sup>3</sup>

#### BRAKES

Type	Electronic brake limitation (EBL)
Front	410mm Duo-duplex drums
Rear	410mm Duo-duplex drums
Iveco turbo brake (ITB)	Standard
Heated air drier	Standard
Air reservoirs	Aluminium
ABS	Standard
ASR Traction Control	Optional
Trailer ABS Connections	Standard

#### CHASSIS

Type	Ladder construction with pressed steel side members and riveted and bolted cross members, trailer air and electrical connections.
------	---

#### FUEL TANK

Type	300 litres, steel
	Locking fuel cap

#### Adblue Tank

Type	40 litres, plastic
	Locking cap

#### ELECTRICS

Type	24v negative earth return
Alternator	28v, 90A
Starter	24v, 5.5kW
Battery	2 x 12v, 220Ah
	All circuits protected by fuses
	Easy Mux CAN line data bus system

#### SUSPENSION

Front	Parabolic leaf
Rear	Multi-leaf
Anti-roll bar	Front
Shock Absorbers	Front

#### STEERING

Type	Power assisted
Ratio	20.7

#### AXLES

Front	Iveco 5985/2D Spiral hub reduction
Rear	Iveco 452191 Spiral hub reduction
Diff Lock	Standard cross and inter axle
Standard Ratios	Eurotronic AS2330 TO gearbox 5.01
	ZF 16S 2220 TO gearbox 4.67

#### CAB INTERIOR

**Active Day Cab:** interior incorporating, air suspended 3-way adjustable driver's seat, inertia reel belt. Passenger seat 2 way adjustable with inertia reel belt. Soft feel dashboard with multi-functional steering wheel incorporating touch button menu controls for the real time digital dash display. Automatic electronic 2 man tachograph, dual scale speedometer. All gauge functions monitored using international symbols. Heater with 4 speed fan for an airflow up to 600m<sup>3</sup>/hr, 12kW output. Left and right hand entry assist handles. Pneumatic adjustable steering column, 2 column mounted control stalks, left stalk operating the indicators, main beam, windscreen wash wipe, right stalk operating Eurotronic 2 gear change, engine brake, cruise control and variable speed limiter. Left of the steering column is the dash mounted Eurotronic gearbox controls for automatic and semi-automatic modes, neutral, reverse and low speed manoeuvring mode (forward and reverse). Rear bulk head storage and writing pad. Overhead console for CB radio. Remote control radio/CD, aerial and speakers. Courtesy and map reading lights. Electronic PTO switch and in cab preparation. Door roller blinds. Easy clean cab interior.

**Active Time Cab:** Equipment as for day cab, without easy clean interior includes single low level bunk with under bunk storage writing pad, control panel, incorporating controls for electric windows, (optional electric roof vent), and interior lights, cab heating, alarm clock, and a 12V socket. Eberspacher cab heater. Curtains to enclose entire cab area.

#### CAB EXTERIOR

**Active Day:** forward control cab. Galvanised pressed steel construction, with SMC for vulnerable parts. Helical spring suspension and dampers. Hydraulic cab tilt to 600 deg. Tinted electric door windows and tinted laminated screen. Rear cab windows (AD cab only). Heated rear-view mirrors, plus kerb and wide-angle mirrors. Steel front bumper. Left and right hand rotating beacons.

**Active Time Cab:** Construction and equipment as for day cab but includes external stowage for tools.

The information in this literature is intended to be of a general nature only. Iveco Ltd reserves the right to modify or change specification at any time. For further information please consult your dealer.

July 2006