

# IVECO

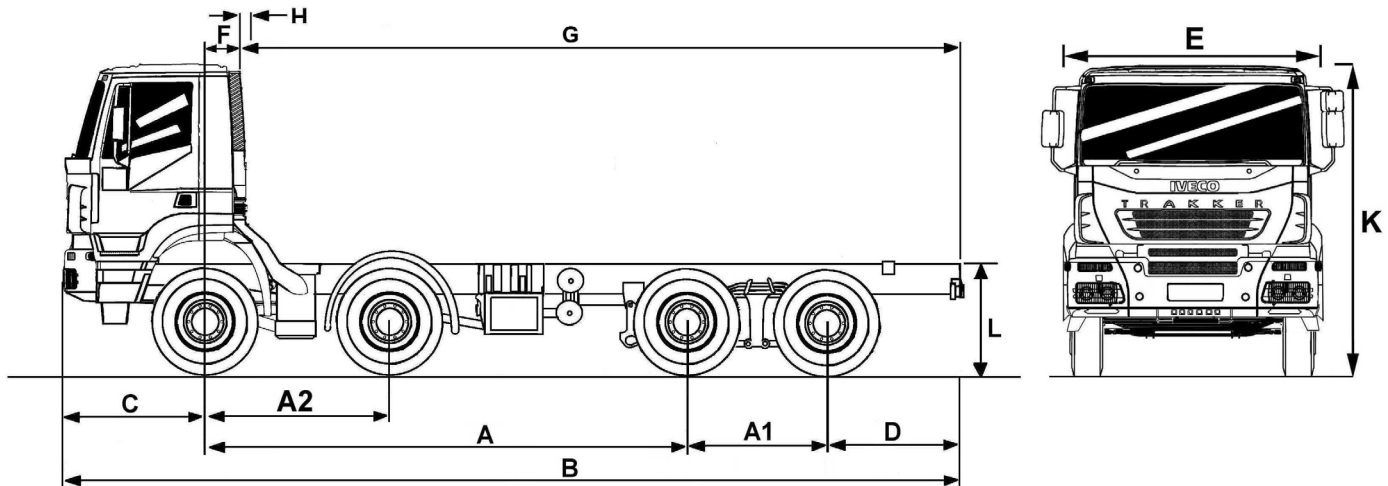
## TRAKKER

**ACTIVE DAY AD410T45K**

**ACTIVE TIME AT410T45K**



**Hub reduction - 8x4 Tipper**



<b>PLATED/DESIGN WEIGHTS (kg)</b>		<b>GVW</b>	<b>GTW</b>	<b>Front Bogie</b>	<b>Rear Bogie</b>
Plated weights		32000	44000	16000	19000
In use Authorised Weight Restrictions (AWR)		32000	44000	16000	17000
Design weights		41000	44000	16000	26000

		<b>Day</b>	<b>Sleeper</b>
<b>KERBWEIGHTS (kg) day cab WHEELBASE</b>		<b>5020</b>	<b>5820</b>
Front		6755	6910
Rear		3420	3435
Total		10175	10345
<b>MAXIMUM BODY/ PAYLOAD (kg) GVW</b>		<b>21825</b>	<b>21655</b>

<b>DIMENSIONS (mm)</b>		<b>Day</b>	<b>Sleeper</b>
<b>A</b>	Wheelbase	5020	5820
<b>A1</b>	Rear bogie spread	1380	1380
<b>A2</b>	Front bogie spread	1875	1875
<b>B</b>	Overall length (over bumpers)	8615	9450
<b>C</b>	Front overhang	1440	1440
<b>D</b>	Rear overhang	775	775
<b>E</b>	Cab width (over front bumper)	2500	2550
<b>F</b>	C/line f/axle to back of cab equip	415	1025
<b>G</b>	Back of cab to end of frame	6760	6950
<b>H</b>	Cab gap	Depends on tipping gear	
<b>K</b>	Cab height (unladen)	3080	3080
<b>L</b>	Frame height	1090	1090
	Frame thickness	10	10
	Turning circle (wall to wall)	20450	22450

<b>TYRES &amp; WHEELS</b>	<b>Tyre Size</b>		<b>Tread</b>		<b>Wheels</b>	
	<b>Front</b>	<b>Rear</b>	<b>Front</b>	<b>Rear</b>	<b>Front</b>	<b>Rear</b>
Standard	315/80R22.5	315/80R22.5	On Road	Off Road	22.5x9.00	22.5x9.00
Optional	315/80R22.5	315/80R22.5	On Road	On Road	22.5x9.00	22.5x9.00
Optional	385/65R22.5	315/80R22.5	On Road	Off Road	22.5x11.75	22.5x9.00

**NOTES**

Weights are to standard specification and include water, oils, 5 litres of AdBlue and 20 litres of fuel but excludes driver. Kerb weights are subject to a manufacturing tolerance of +/-5%. Medium roof sleeper cab adds 625mm height and 230kg. ZF 16S 2220 TO manual gearbox adds 60kg.

July 2006

# IVECO

## TRAKKER

### ACTIVE DAY AD410T45K

### ACTIVE TIME AT410T45K



## Hub reduction - 8x4 Tipper

<b>ENGINE</b>	Iveco Cursor 13
Cylinders	6
Bore (mm)	135
Stroke (mm)	150
Capacity (litres)	12.88
Power (PS/kW)	450/331
@ rpm	1440 -1900
Torque (Nm/lbft)	2200/1622.5
@ rpm	1000 -1440
Green Zone @ rpm	1000 -1400
Rating	Euro 4/5
Cooling Fan	2 speed electro- magnetic
Fuel System	Unit Injector System
Turbocharger	Variable geometry
Exhaust	SCR catalyst system
Speed Limiter	Standard 90 Kilometer/hr @ 1665 rpm
Engine Immobiliser	Standard
Vehicle data interface	Optional

<b>GEARBOXES</b>	Eurotronic	ZF 16S 2220 TO
	AS2330 TO	
1 <sup>st</sup>	12.33	13.80
2 <sup>nd</sup>	9.59	11.54
3 <sup>rd</sup>	7.44	9.49
4 <sup>th</sup>	5.78	7.93
5 <sup>th</sup>	4.57	6.53
6 <sup>th</sup>	3.55	5.46
7 <sup>th</sup>	2.70	4.57
8 <sup>th</sup>	2.10	3.82
9 <sup>th</sup>	1.63	3.02
10 <sup>th</sup>	1.27	2.53
11 <sup>th</sup>	1.00	2.08
12 <sup>th</sup>	0.78	1.74
13 <sup>th</sup>		1.43
14 <sup>th</sup>		1.20
15 <sup>th</sup>		1.00
16 <sup>th</sup>		0.84
Rev 1	11.41	12.92
Rev 2	8.88	10.80

<b>PERFORMANCE</b>				
- with Eurotronic AS2330 TO gearbox and standard tyres				
Axle Ratios Available	<b>4.67</b>	3.79	4.23	5.01
Geared Speed (mph)	<b>64</b>	79	70	59
Gradeability % @ GVW	<b>40+</b>	40+	40+	40+
- with ZF 16S 2220 TO gearbox and standard tyres				
Axle Ratios Available	<b>4.67</b>	3.79	4.23	5.01
Geared Speed (mph)	<b>59</b>	73	65	55
Gradeability % @ GVW	<b>40+</b>	40+	40+	40+

<b>CLUTCH</b>	
Type	Single plate, diaphragm spring, pull type. Asbestos free
Diameter / Friction area	432 mm / 994 cm <sup>3</sup>

<b>BRAKES</b>	
Type	Electronic brake limitation (EBL)
Front	436mm ventilated disc
Rear	410mm Duo-duplex drums
Iveco turbo brake (ITB)	Standard
Heated air drier	Standard
Air reservoirs	Aluminium
ABS	Standard
ASR Traction Control	Optional

<b>CHASSIS</b>	
Type	Ladder construction with pressed steel side members and riveted and bolted cross members, with rear of frame reinforcement.

<b>FUEL TANK</b>	
Type	300 litres, aluminium Locking fuel cap

<b>Adblue Tank</b>	
Type	55 litres, plastic Locking cap

<b>ELECTRICS</b>	
Type	24v negative earth return
Alternator	28v, 90A
Starter	24v, 5.5kW
Battery	2 x 12v, 220Ah All circuits protected by fuses Easy Mux CAN line data bus system

<b>SUSPENSION</b>	
Front	Parabolic leaf
Rear	Parabolic cantilever
Anti-roll bar	Front
Shock Absorbers	Front

<b>STEERING</b>	
Type	Power assisted
Ratio	20.7

<b>AXLES</b>	
Front	Iveco 5886 I-beam with oil filled hubs
Rear	Iveco 452146 Spiral hub reduction
Diff Lock	Standard cross and inter axle
Standard Ratios	Eurotronic AS2330 TO gearbox 4.67 ZF 16S 2220 TO gearbox 4.67

**CAB INTERIOR**  
**Active Day Cab:** interior incorporating, air suspended 3-way adjustable driver's seat, inertia reel belt. Passenger seat 2 way adjustable with inertia reel belt. Soft feel dashboard with multi-functional steering wheel incorporating touch button menu controls for the real time digital dash display. Automatic electronic 2 man tachograph, dual scale speedometer. All gauge functions monitored using international symbols. Heater with 4 speed fan for an airflow up to 600m<sup>3</sup>/hr, 12kW output. Left and right hand entry assist handles. Pneumatic adjustable steering column, 2 column mounted control stalks, left stalk operating the indicators, main beam, windscreen wash wipe, right stalk operating Eurotronic 2 gear change, engine brake, cruise control and variable speed limiter. Left of the steering column is the dash mounted Eurotronic gearbox controls for automatic and semi-automatic modes, neutral, reverse and low speed manoeuvring mode (forward and reverse). Rear bulk head storage and writing pad. Overhead console for CB radio. Remote control radio/CD, aerial and speakers. Courtesy and map reading lights. Electronic PTO switch and in cab preparation. Door roller blinds. Easy clean cab interior.

**Active Time Cab:** Equipment as for day cab, without easy clean interior includes single low level bunk with under bunk storage writing pad, control panel, incorporating controls for electric windows, (optional electric roof vent), and interior lights, cab heating, alarm clock, and a 12V socket. Eberspacher cab heater. Curtains to enclose entire cab area.

**CAB EXTERIOR**  
**Active Day:** forward control cab. Galvanised pressed steel construction, with SMC for vulnerable parts. Helical spring suspension and dampers. Hydraulic cab tilt to 60 deg. Tinted electric door windows and tinted laminated screen. Rear cab windows (AD cab only). Heated rear-view mirrors, plus kerb and wide-angle mirrors. Steel front bumper. Left and right hand rotating beacons.

**Active Time Cab:** Construction and equipment as for day cab but includes external stowage for tools.

The information in this literature is intended to be of a general nature only. Iveco Ltd reserves the right to modify or change specification at any time. For further information please consult your dealer.

July 2006